

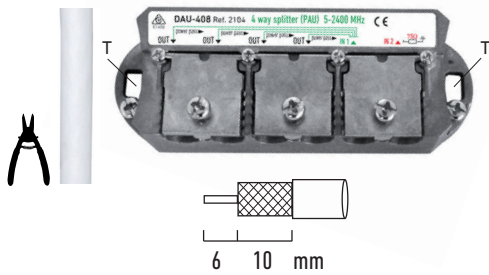
# SPLITTERS + PAU (5-2400 MHz) FAST CONNECTION ELEMENTS "DAU" SERIES

DAU-204 (2102) ; DAU-307 (2103) ; DAU-408 (2104)

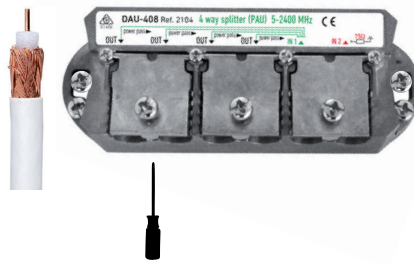
DAU-510 (2105) ; DAU-612 (2106) ; DAU-813 (2107)

**Fast**

Wall mounting (T)  
Coaxial cable stripping



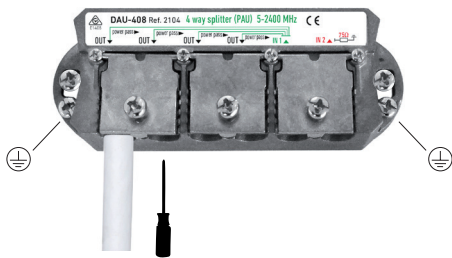
Opening of the flange cover



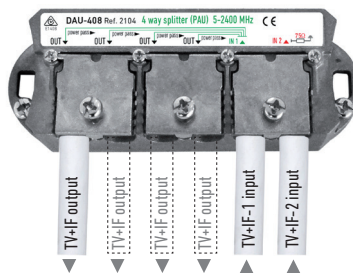
Insertion of the inner conductor into the hole



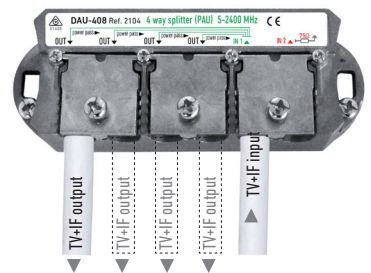
Closing of the flange cover  
by means of the screw



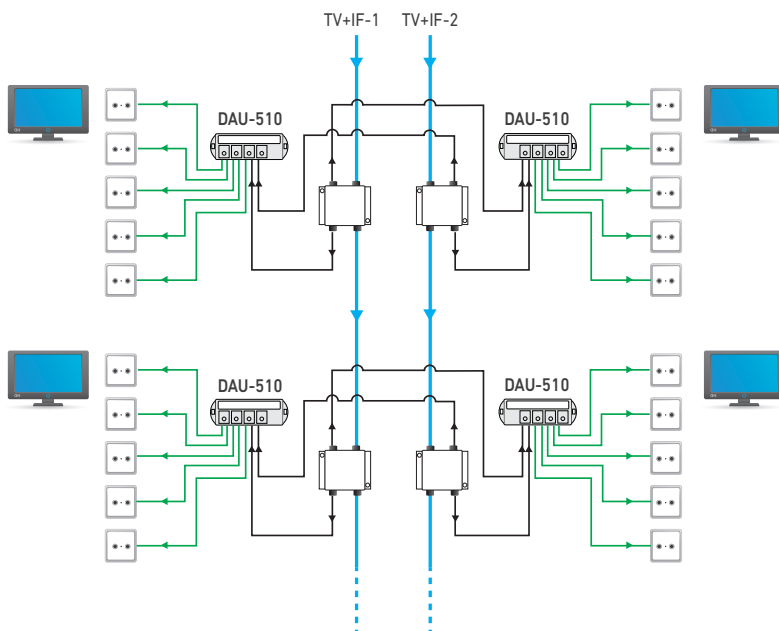
Connection for an installation  
DAU+PAU mode (2 TV+IF input)



Connection for an installation  
DAU splitter mode



Example of application (2 TV-IF input mode)



Application example (splitter mode)

